

The perfect fireplace for every situation

# MatriX

Discover our extensive selection of MatriX fireplaces, where there's always a perfect fireplace for every situation. With our wide range of sizes and models, we effortlessly find the fireplace that seamlessly fits into your interior.

And that's not all. With the optional Symbio® glow bed lighting, we create a stunning fire display even when the flames are extinguished. You'll be amazed by the rich glow that our glow bed brings.

Moreover, our fireplaces offer high-flaming flames with realistic ceramic logs, evoking a traditional campfire experience. You can enjoy the deep and intense fire display thanks to our 5 switchable burners. With the ability to adjust the heat output to your preference, ranging from a maximum of 10 to a minimum of 4 kW, you can always create a comfortable, warm, and cosy environment.

Whether you're looking for a Front-facing, 2-sided, or 3-sided model, a Room divider, or a See-through model, we have it in our portfolio. Enhance your interior with the perfect MatriX fireplace and let the warmth and ambiance embrace your home.

## Why opt for the MatriX?

- Plenty of choice in sizes and models; there is always a MatriX fire to suit your situation.
- With (optional) Symbio® ember bed lighting; for an even richer fire effect with an ember bed, even without the use of the flames,
- High flames with realistic ceramic logs in a traditional camp-fire design.
- 5 adjustable burners; with 2 settings for an extra deep and intense effect,
- Adjustable heat output; from maximum 10 to minimum 4 kW.
- Available in various sizes and as a front, 2 and 3-sided version, Room divider or See-through model.



More information  
about the MatriX?  
Scan the QR code.

In other words: a modern gas fire in a classic “camp-fire” design to offer a solution for every imaginable situation.

# MatriX | 1050/500 III

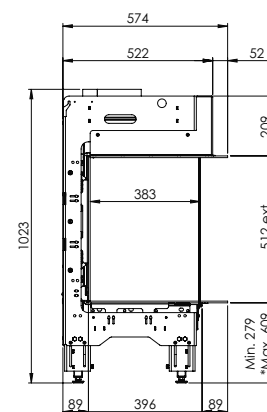
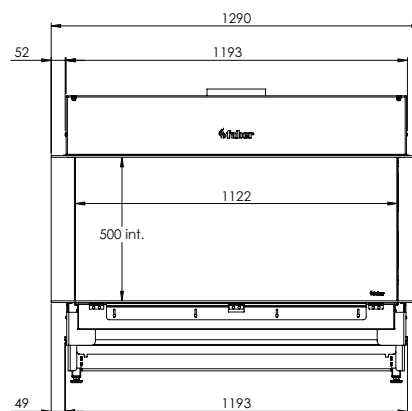
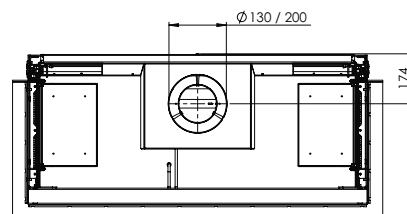


## DECORATION



Symbio module

## Flue material 130/200



\* Incl. optional adjustable feet

## Specifications

**Exterior dimensions WxHxD in mm**  
1290 x 1023 x 574

**Fire display WxHxD in mm**  
1122 x 500 x 383

**System**  
Log Burner 2.0

**Decoration**  
Log set

**Back wall**  
Back wall smooth steel

**Remote**  
ITC Remote

**Power**  
8,1 kW

**Operating system**  
Honeywell

**Energy label**  
B

**Options (at a surcharge)**  
Symbio Module  
Non-reflective glass  
Black glass back wall  
Inset depth 30 mm  
Adjustable feet  
Wall bracket



Imagine what's possible